



PURE ESSENTIAL OIL  
WORKS

# STARRY NIGHT LED Ultrasonic Aroma Diffuser

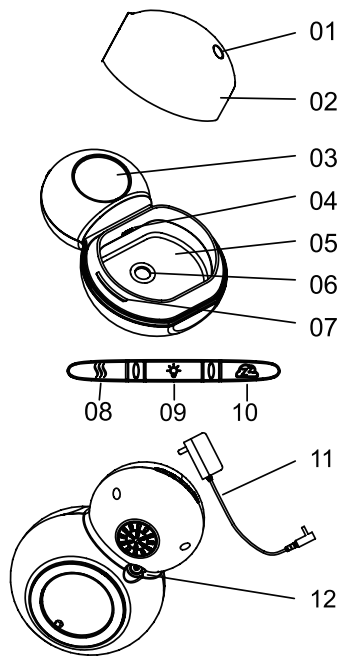


IMPORTANT INSTRUCTIONS — RETAIN FOR FUTURE USE

Congratulations on your purchase of the **Pure Essential Oil Works Starry Night LED Ultrasonic Aroma Diffuser**. Please read the instructions and safety tips before use. Your diffuser comes with a one-year limited warranty. If for any reason you need service, please call 800-520-6000.

### Components

- 01 Mist Outlet
- 02 Cover
- 03 Projector
- 04 Max. Water Level Indicator
- 05 Water Tank
- 06 Oscillator Disc
- 07 Vent Hole
- 08 Mist Button
- 09 Light Button
- 10 Sleep Button
- 11 Adapter (12V --- 750mA)
- 12 DC Jack



### How to Operate

1. Remove the cover.
2. Fill the water tank with room temperature tap water. Do not exceed the Max. Water Level Indicator.
3. Add 3-5 drops of your favorite essential oil into the water. Water-soluble essential oils are recommended.
4. Replace the cover.
5. Plug in the power adapter.
6. Place diffuser on even surface as shown. Do not erect upright when filled with water.
7. Press the button to turn on the unit.

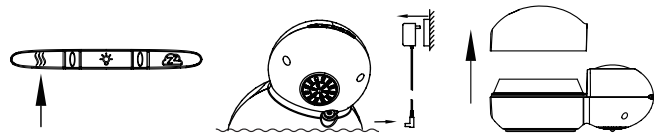
### Button Functions:



- Mist Mode:** (6-12 hours run time)
  - 1st > Continuous mist mode
  - 2nd > Intermittent mist mode (30 seconds on/ 30 seconds off)
  - 3rd > Mist off
- Light Mode:**
  - 1st > Red, Blue & Green lights blink alternately
  - 2nd > Red & Green blinking lights on
  - 3rd > Red & Blue blinking lights on
  - 4th > Blue & Green blinking lights on
  - 5th > Warm White light on
  - 6th > Lights off
- Sleep Mode:**
  - When light is on:
    - 1st > Start at maximum brightness of current light mode and automatically grow dim in 5 levels until it switches off in 30 minutes
    - 2nd > Warm night light on
    - 3rd > Light switches off
  - When light is off:
    - 1st > Warm night light on
    - 2nd > Light switches off

## Maintenance

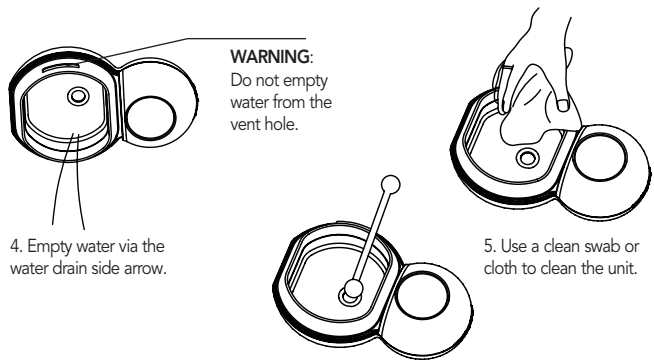
For best operation and safety, please follow these steps if diffuser has been used for 5-6 times or 2-3 days:



1. Press the button to turn off the unit.

2. Unplug the adapter.

3. Remove the cover.



**WARNING:**  
Do not empty water from the vent hole.

4. Empty water via the water drain side arrow.

5. Use a clean swab or cloth to clean the unit.

## Attention

- Product use time: 6-12 hours.
- The amount and intensity of the mist produced will vary, but this is not unusual and should not be considered as a fault. Factors that affect this include water type, humidity, temperature and air currents.
- Only 100% natural essential oil can be used with this product. Use per directions. Too much will clog the system and cause malfunction. Please clean unit as per the maintenance instructions, before changing to use a new type of essential oil. Do not use any other substances since they could cause a toxic or fire risk.

## Precautions

In order to avoid damage to the diffuser:

- Do not fill over 120ml "MAX" at any time.
- Do not touch the oscillator disc with your fingers while it is working.
- Clean regularly as per maintenance instructions to avoid malfunction.
- For hygiene reasons, after use, pour away remaining water from drain outlet side of tank and wipe with a clean dry cloth.
- Do not let mist blow directly onto furniture, clothing, walls, etc.
- Keep away from direct sunlight and air conditioners or fans.
- Always keep on stable, flat surface. Do not place on carpet, duvet or unstable area.
- Keep away from electronic equipment, such as TV and audio equipment.
- Do not tip the product as this may cause water to enter the mechanism and cause malfunction.
- Use tap water only. Do not use mineral water, sparkling water, etc.
- Never move product in use.
- Do not touch any part of the product with wet hands.
- Keep out of the reach of children under age 8 and pets.

- Always unplug from power supply during filling, maintenance or when not in use.
- Keep cord clear of pathways, and do not pull forcefully at any point. Never wrap adapter with paper or cloth which could cause it to overheat or catch fire. Only use the adapter supplied with the appliance.
- If smoke or burning smell is detected, unplug immediately.
- Do not use damaged cord or disassemble/repair this product on your own. Must be replaced by manufacturer or other service agent.

## Specifications

|                     |  |
|---------------------|--|
| Size                | 7"L x 4.7"W x 3.4"H                    |
| Weight              | About 0.52 lbs. (adapter not included) |
| Supply power: input | AC100-240V 50/60Hz                     |
| output              | DC 12V 750mA                           |
| Power               | 9W                                     |
| Water capacity      | 4 oz. (120ml)                          |
| Accessories         | AC Adapter and user manual             |

## Troubleshooting

Please refer to the table below in the event the product is operating abnormally.

| Problem              | Cause   | Answer  |
|----------------------|---|---|
| No mist or less mist | Power supply is not connected.                                  | Plug the power cord in and press the button.    |
|                      | Insufficient Water  | Refill the water tank.                          |
|                      | There's too much water. Exceeds the Max. Water Level Indicator. | Dump out the extra water.                       |
|                      | The atomization mouth is blocked.                               | Clean the mouth and keep it ventilated.         |
|                      | The unit is in Intermittent Mist Mode.                          | Check the mist mode is in Continuous Mist Mode. |



**PURE ESSENTIAL OIL  
WORKS**

Item #307834 Girl's / #308732 Boy's  
pureessentialoilworks.com • 800.520.6000  
tng worldwide • New Hudson, MI 48165  
©2018 TNG • Made in China